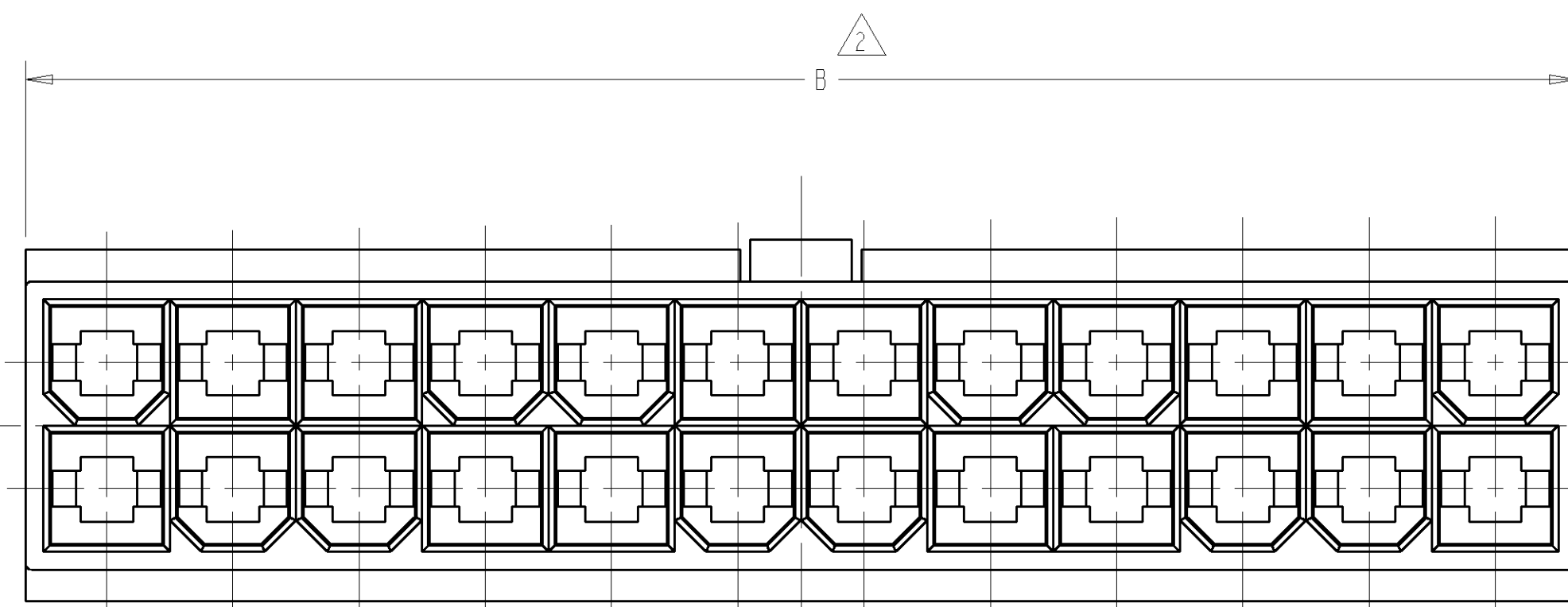
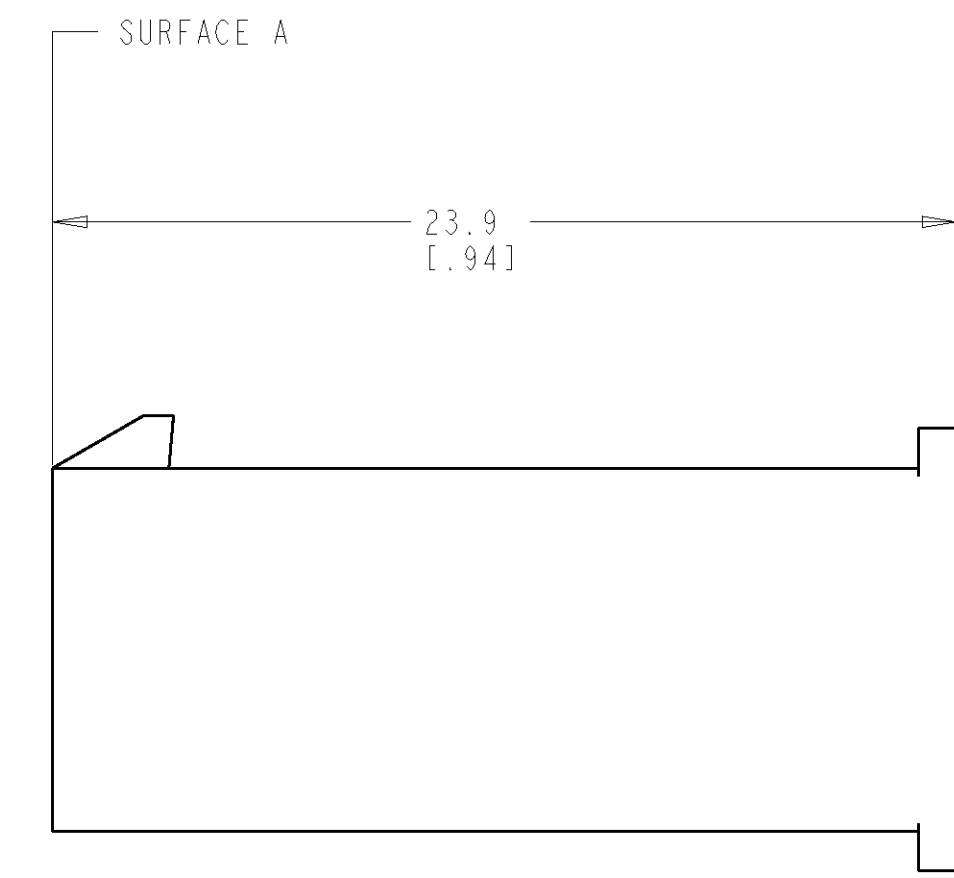


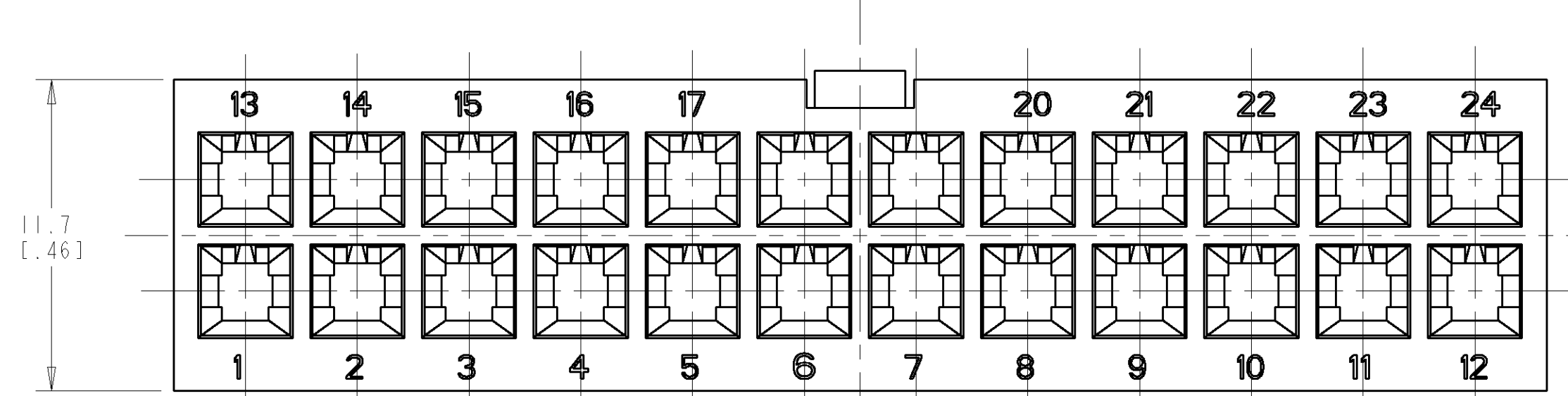
PA66



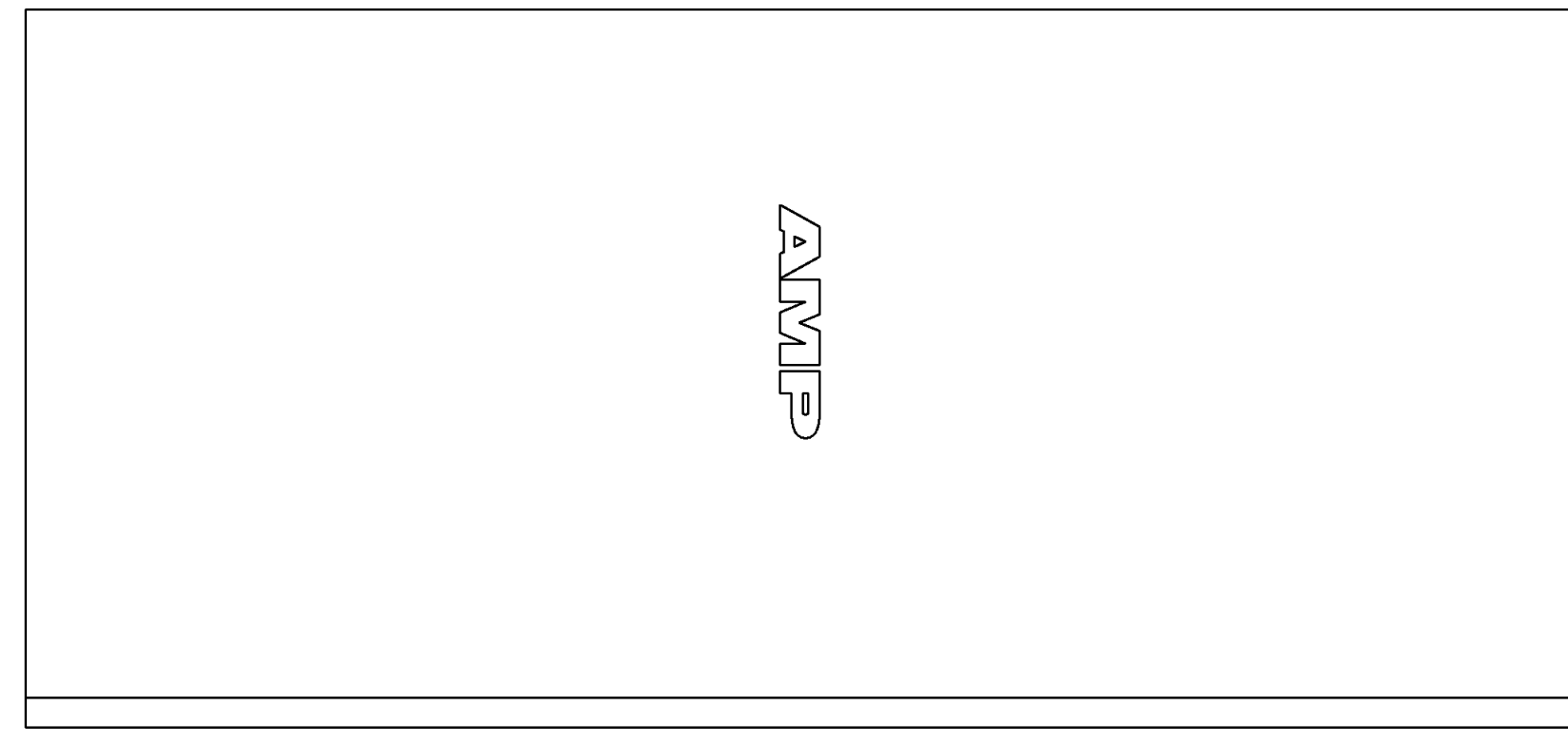
9.6
[.38]



SURFACE A



- △ NYLON, UL94V-2, NATURAL.
- △ DIMENSION TO BE CHECKED AT SURFACE A.
- 3. DIMENSIONS IN BRACKETS ARE IN INCHES.
- 4. MALE CONTACTS MUST BE INSERTED SO THAT THE TOP OF THE WIRE AND INSULATION CRIMPS ARE FACING THE SIDE OF THE HOUSING WITH THE LOCKING LATCH.



AMP

51.6[2.032]	24	2-794542-4
47.4[1.866]	22	2-794542-2
43.2[1.701]	20	2-794542-0
39[1.535]	18	1-794542-8
34.8[1.370]	16	1-794542-6
30.6[1.205]	14	1-794542-4
26.4[1.039]	12	1-794542-2
22.2[.874]	10	1-794542-0
18[.709]	8	794542-8
13.8[.543]	6	794542-6
9.6[.378]	4	794542-4
5.4[.213]	2	794542-2
B	NO. OF POSITIONS	PART NUMBER

METRIC

DIMENSIONS: mm [INCHES] TOLERANCES UNLESS OTHERWISE SPECIFIED: 0 PLC ± 1 PLC ±0.21 (01) 2 PLC ± 3 PLC ± 4 PLC ± ANGLES ± FINISH 40° 30'		DWN R. VESTAL 16MAR99 CHK R. SWING 16MAR99 APVD C. CASH 16MAR99	NAME PRODUCT SPEC APPLICATION SPEC SIZE WEIGHT CUSTOMER DRAWING	STC TE Connectivity PLUG, FREE HANGING, 2 TO 24 POSITION, AMP-DUACT™ POWER CONNECTOR 00779 C=794542	RESTRICTED TO SCALE 4:1 SHEET 1 OF 1 REV P
---	--	---	--	---	---